

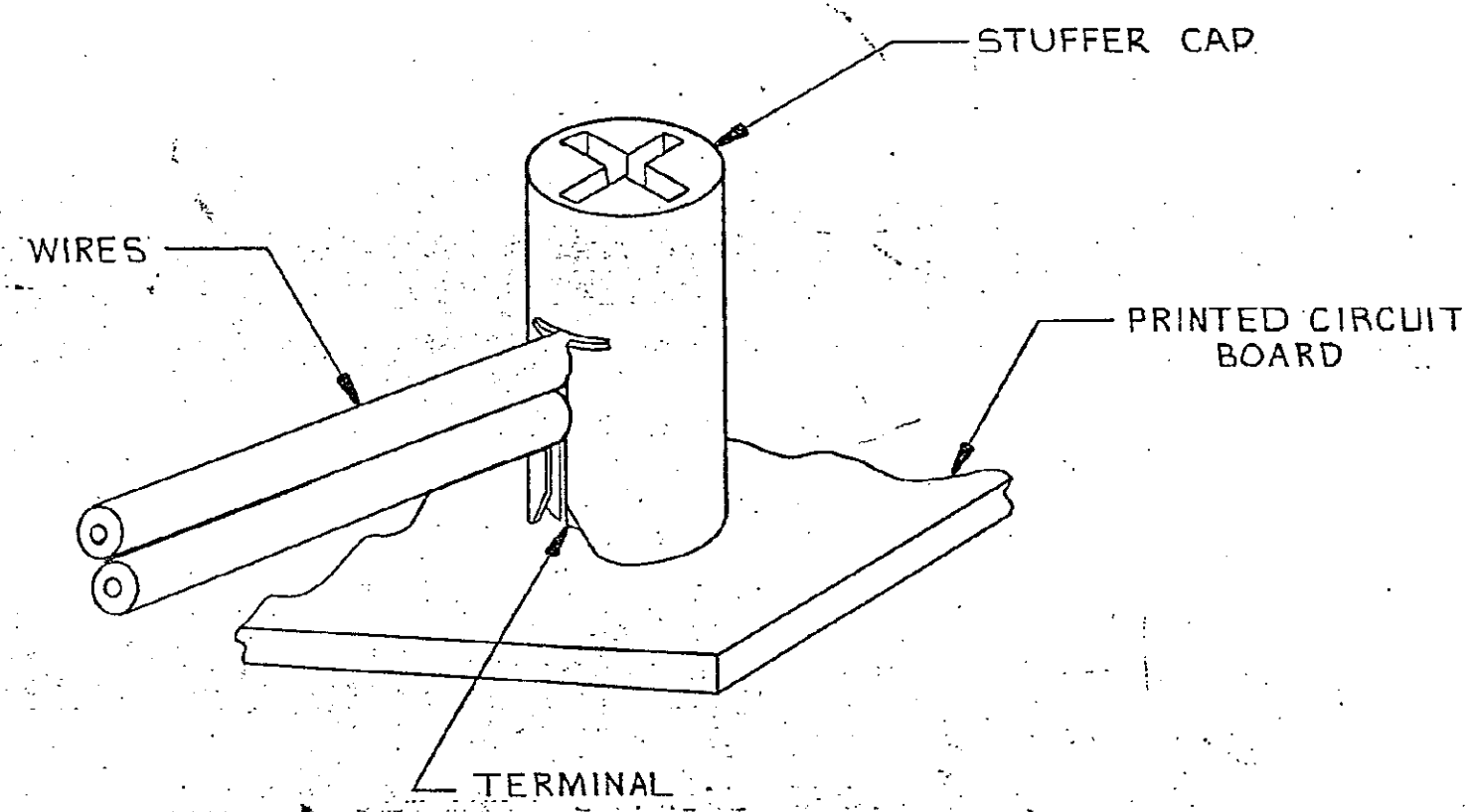
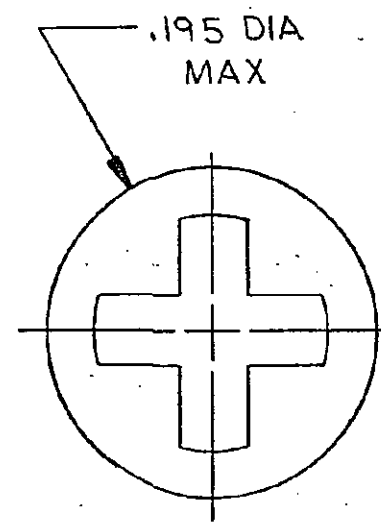
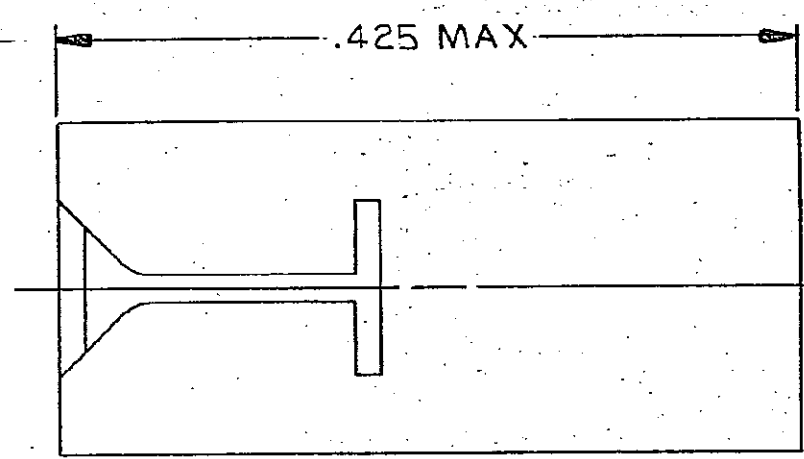
DRAWING MADE IN THIRD ANGLE PROJECTION

LOC AA DIST 27

© COPYRIGHT 1978 BY AMP INCORPORATED, HARRISBURG, PA. ALL INTERNATIONAL RIGHTS RESERVED. AMP INCORPORATED PRODUCTS COVERED BY U. S. AND FOREIGN PATENTS AND/OR PATENTS PENDING.

REVISIONS						
P	F	ZONE	LTR	DESCRIPTION	DATE	APPROVED
		E		OBS: 5/11/EC 0502-0222-96	5/11/77	OS

1. RECOMMENDED INSERTION TOOL: NO. 2 PHILLIPS SCREWDRIVER.



LOOSE PIECE	NATURAL YELLOW	552699	24-28	-3
PACKAGING	COLOR	TERM PART NO.	WIRE GAGE	PART NO
			18-22	230707-1

UNLESS OTHERWISE SPECIFIED DIMENSIONS ARE IN INCHES. TOLERANCES ON: DECIMALS ± ANGLES ±	CONTRACT NO		AMP INCORPORATED Harrisburg, Pa.	
	DR	12/29/78		
MATERIAL NYLON 6/6	CHK RE Reich	1/2/79	NAME CAP, STUFFER, .125 DIA	
FINISH	APPD V. Q. Vancian	1-2-79	SIZE C	CODE IDENT NO 00779
	DSGN APPD		DRAWING NO. 230707	
	OTHER APPD RE Reich	1/2/79	SCALE 10-1	SHEET 1 OF 1

A WAS 1222-77-27

230707

CUSTOMER DRAWING